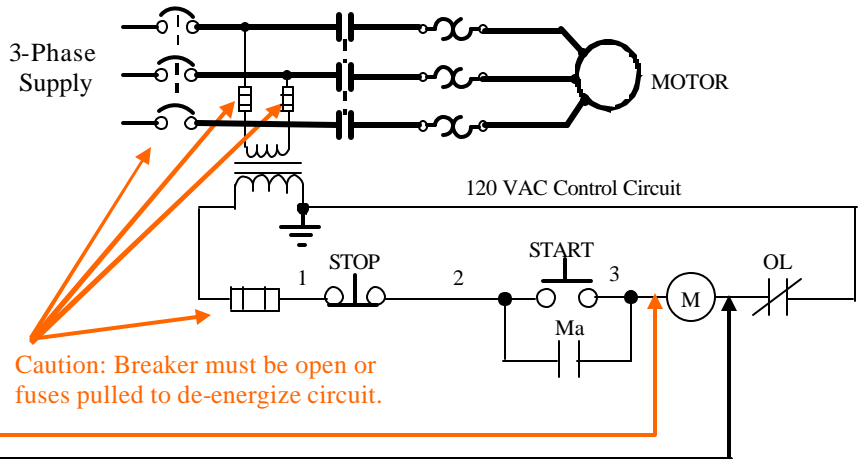


TPI 183 Multimeter



Select Ω (Ohms)

Typical Three-Phase Starter with Reduced Voltage Control



Resistance (Ohms) Measurement

WARNING! Do not attempt to make resistance measurements with circuit energized.

Note: The ohmmeter internal battery provides power to make this measurement; therefore, ohms measurements can be made *only* on *de-energized* circuits! When practical, isolate the component from the circuit before attempting to measure its ohmic value to prevent a parallel path through other components. In the example above, the normally open START push button and normally open auxiliary contact Ma prevent a parallel path through the control transformer secondary.

Example: Checking the resistance of a contactor coil.

- Disconnect power from circuit to be measured.
- Select Meter Ω (Ohms) function.
- Plug in the meter leads as shown: Black lead - Meter COM (Common), Red lead - Meter Ω (Ohms).
- Connect leads across coil (or any circuit component to be measured). Lead polarity does not matter. Read OHMS value on display. OUCH indicates open circuit.